

*Extract of the  
general catalogue,*

## **CHAPTER F**

# **INDIVIDUAL SOLUTIONS FROM A SINGLE SOURCE**

*A large variety of products and systems for  
warehouses, factories and workshops*



## **GENERAL CATALOGUE**

## Modular shelving mezzanines and platforms – optimal usage of storage space

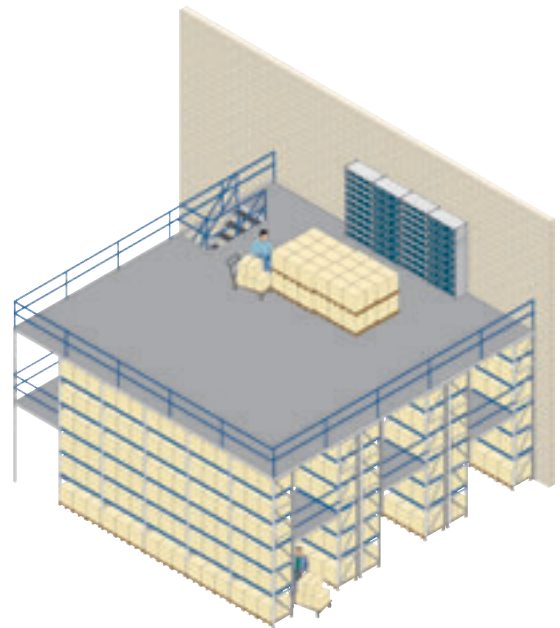
By using SSI SCHAEFER's storage and racking platforms the usable space is practically doubled. With our versatile racking systems, simultaneous storing and working has method.

Multi-tier installations can be created using both steel platforms and raised storage areas which result in additional storage levels which are the same size as the ground floor installations. System platforms made from cold and hot pressed steel can be quickly and easily erected.

SSI SCHAEFER develops individual platforms according to your special requirements. The system can be extended as necessary, both longitudinally and front-to-back.

Safety is of paramount importance and of course the utmost safety on all levels is for granted. Make use of our extensive experience for modern storage management: versatile and individual. The results speak for themselves.





## Mezzanines and platforms – one system with many possibilities

### Shelving mezzanines

With free-standing shelving mezzanines you can double your storage space. The design options are virtually unlimited. Depending on your requirements, different upright patterns, support profiles and floor coverings.

Naturally a multi-tier design is also possible.

### Storage platforms

With platforms, either aisles are built between the shelving rows or complete platforms are built onto the shelving units themselves.

This method is mostly used, where order picking is priority and conveying installations are needed.

The advantage lies in the fact that all the different kinds of racking systems, like modular shelving systems, live storage or pallet racking can be used as a supporting system.

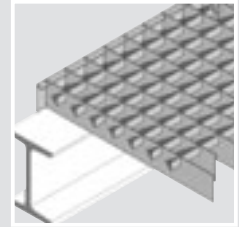


GREY GENTIAN BLUE SILVER GALVANISED

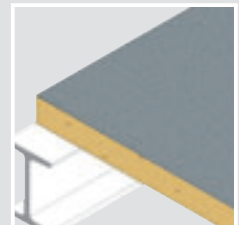


- ▶ **Floor decking for every application**  
made from mesh panel, chipboard or multiple-glued beech wood, with or without anti-slip coating. The underside of the surface is either natural or white coated
- ▶ **Fire protection**  
is designed to conform with Local Authority regulations
- ▶ **Ventilation for racking platforms**  
is available in different forms, depending on the specific application
- ▶ **Safety with platforms**  
starts at the bottom of the staircase and ends with the railing at the pallet loading areas
- ▶ **Construction with high load bearing capacity**  
even for fork lift trucks, are a speciality of SSI SCHAEFER

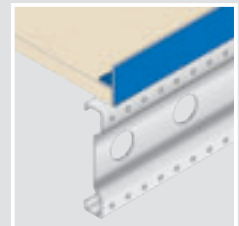
## Design details



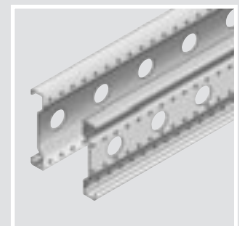
Mesh panel



Chipboard with anti-slip coating



Chipboard with edge protectors, laid on top



System platform profile

Floor decking  
Page F5

Transfer position with chain  
Page F6

Stairs and rails  
Page F7

Transfer position with sliding gate and chain  
Page F6

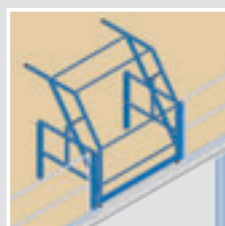
Pallet safety gates  
Page F6



Transfer position with chain



Transfer position with sliding gate and chain



Pallet safety gate



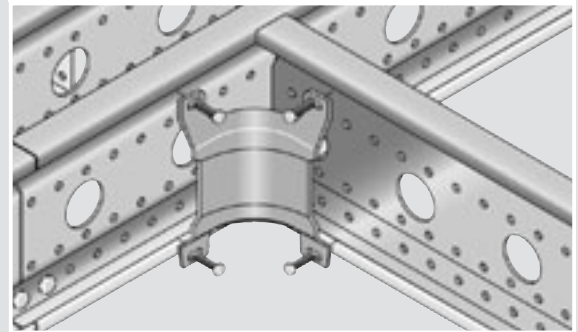
Rail



# Platform systems

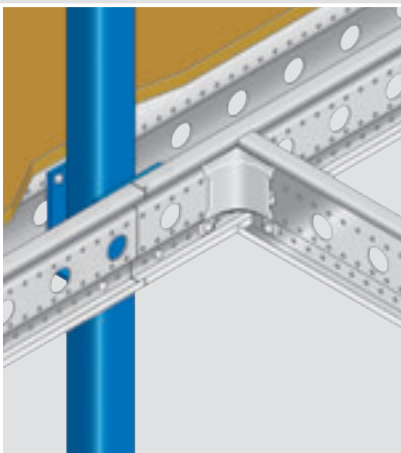


- ▶ **Square tube uprights**  
with welded foot plates 200 x 200 mm, fixed to the floor
- ▶ **Support profiles**  
made from high-strength cold formed quality steel, with perforation for individual assembly
- ▶ **Decking**  
made from high-pressed special chip wood 38 mm strong, V20 E1. Tongue and groove joint. Finish: natural on both sides
- ▶ **Bending of the main girder**  
maximum  $l/300$
- ▶ **Calculations according to current regulations**  
from DIN, FEM and BGR 234 (formerly ZH 1/428)
- ▶ **Rails with elbow pipe**  
and end stop



## Platform supports

For an optimal selection of the platform supports altogether three variants are available.



Platform supports made from system profiles

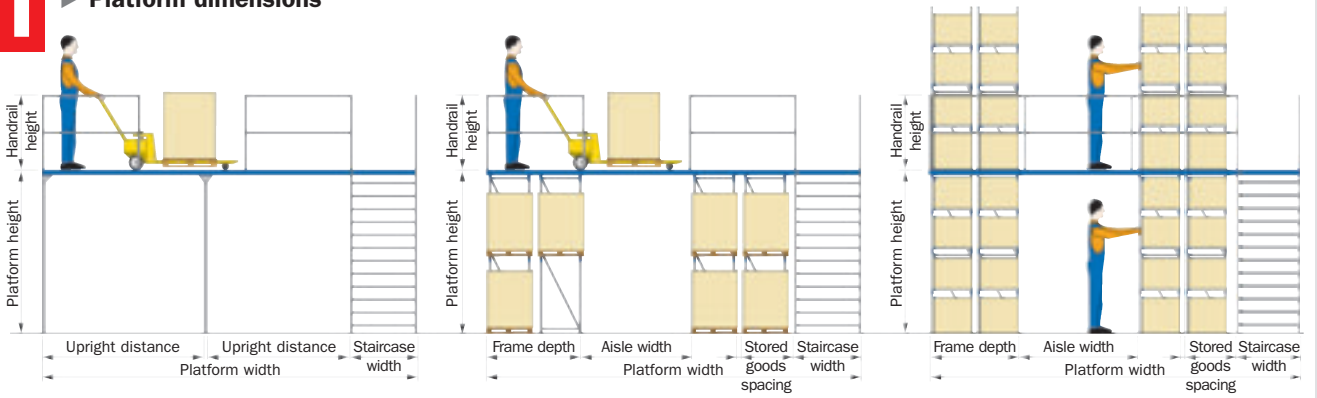


Platform support made from hot rolled steel profiles



Platform supports made from a combination of hot rolled steel profiles and system profiles

## ▶ Platform dimensions

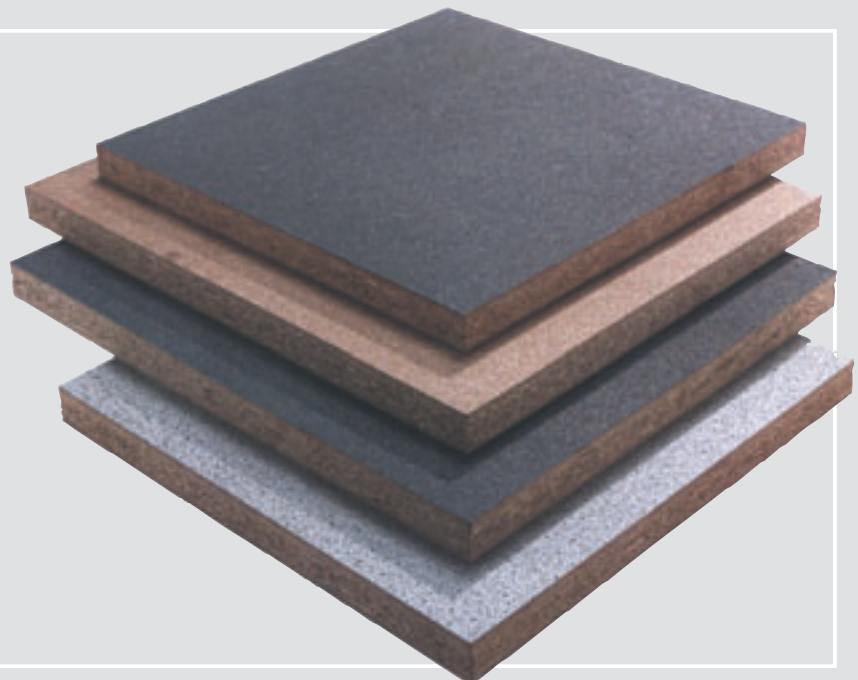


## Floor decking



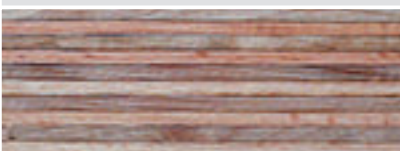
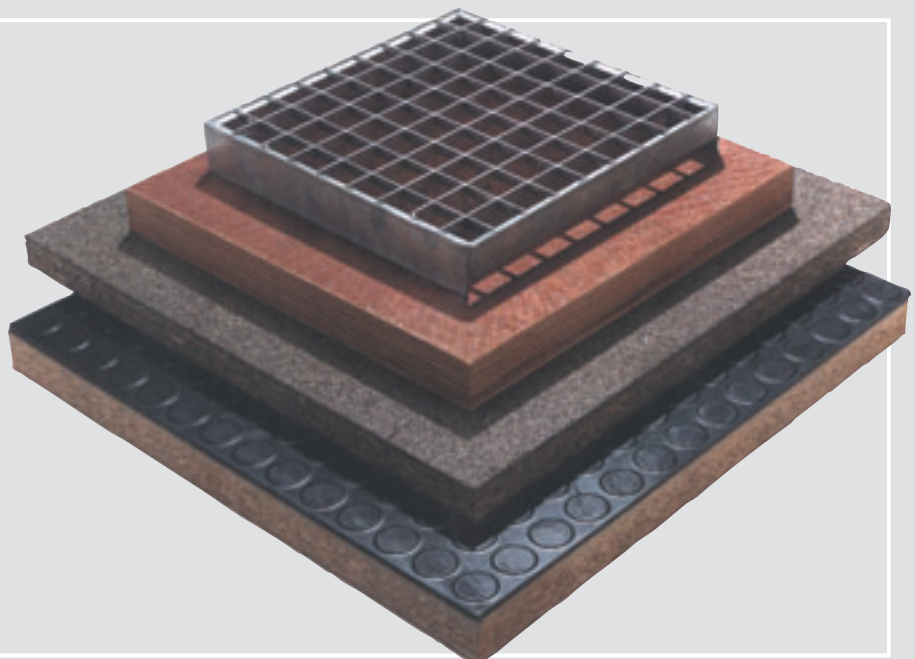
### Decking made from chipboard

Platform surface covering made from chipboards are applicable for a large range of application in different versions. Surfaces in natural finish, oil-hardened or with anti-slip coating.  
Normal or high-pressed, for fire protection class B1 or B2, with tongue and groove joint or as a board.  
Chipboard thickness 30 or 38 mm.



### Mesh grating, multiplex boards and PVC covering

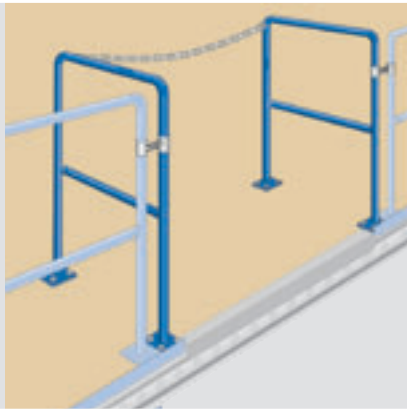
We supply special solutions for special requirements.  
Mesh gratings are necessary either for fire protection reasons or for ventilation.  
Multiplex boards are the optimal solution for extremely high loads and long life span.  
For higher comfort in a constant workplace are conductive coverings or floor covering with PVC dimples ideal.



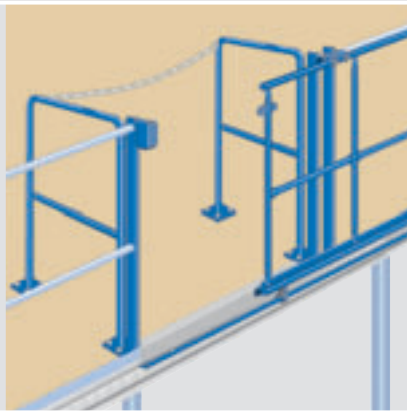


# Gates and pallet drop areas

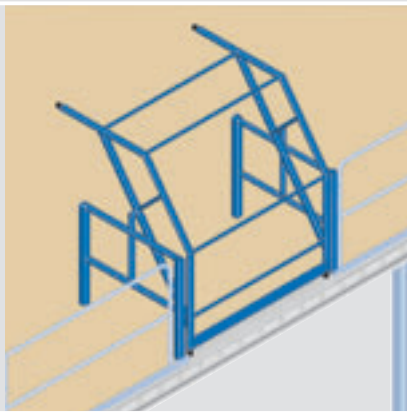
Pallet drop area



Transfer position with sliding gate and barrier chain



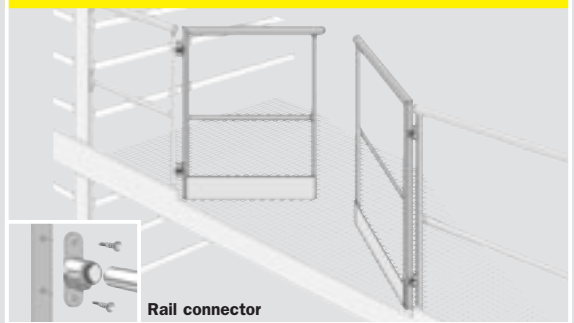
Pallet safety gate



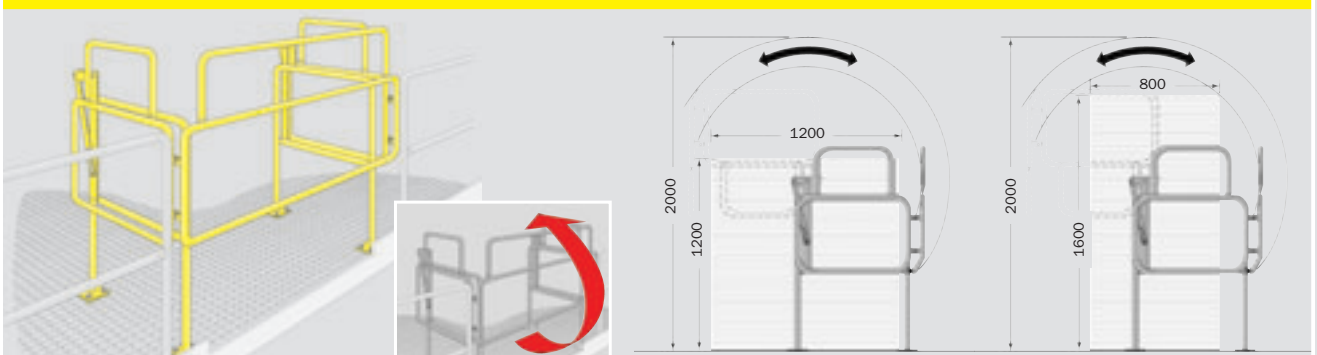
- ▶ **Handrailing and kickboard**  
are designed to be extremely sturdy and are always equipped with handrailing, guardrail and lower sheet steel mantle
- ▶ **Pallet drop areas**  
are solutions recommended by professional trade associations
- ▶ **Sliding gates**  
are utilised for transfer positions used only infrequently and are also secured using barrier chains
- ▶ **Rail lock**  
offer optimal protection for individuals working in transfer positions. The rail is closed in front or in the back according to the transport path. Painted in RAL 1018, zinc yellow
- ▶ **Standard widths**  
for 1500 / 2000 mm hinged and sliding gates
- ▶ **Surface:**  
painted silver, partially galvanised. Custom colours available on request



Self closing wing door



Pallet safety gate







► **Standard stairs for multi-tier shelving installations**

permit a safe and easy passage and are extremely sturdy. The requirements according to DIN 24 530 (stairs made from steel) are to be considered. All steps are limited by the side panels of the stair case and bolted into them. Depending upon platform height, additional stairway landings are necessary. The two different stair models are being used according to individual requirements and the availability of space

► **Steps**

made from checker plate or mesh panel possible

► **Handrailing**

continuous from top to bottom on stairs

► **Rail solutions**

down to the last detail – including the transition from stairway rail to platform rail

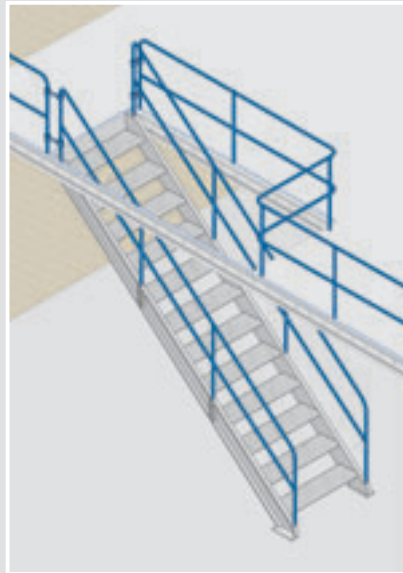
► **Surface**

painted silver, partially galvanised.  
Custom colours available on request

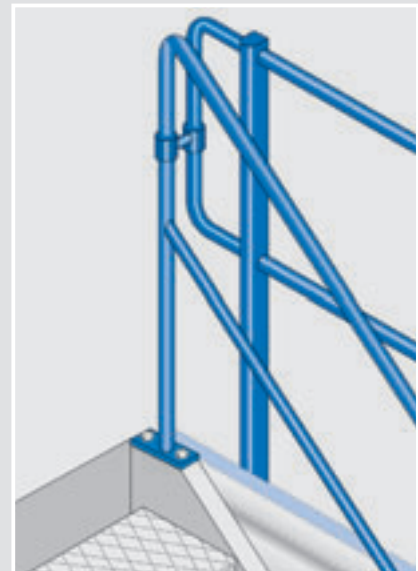
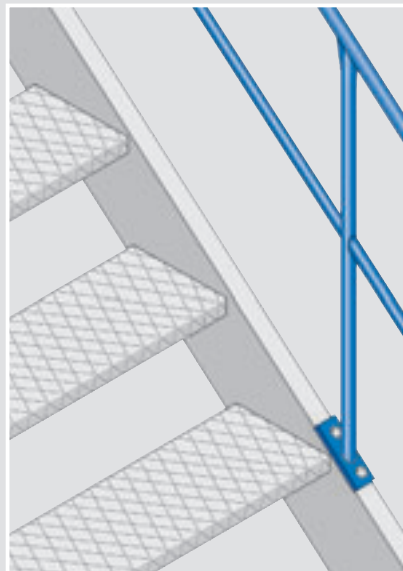
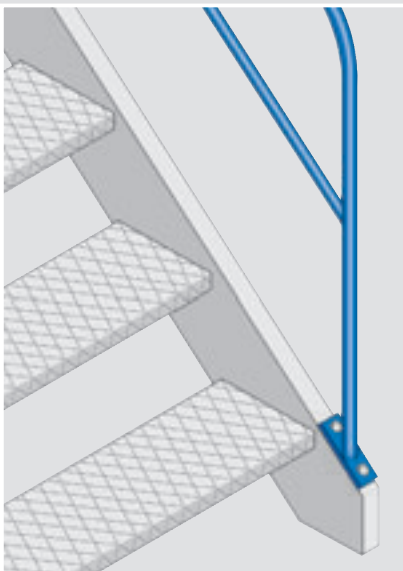


## Stairs and handrailing

### Standard stairs for multi-tier shelving installations



### Steps, handrailing and rail solutions





## Lighting installations for warehouses

The guidelines for the BGR 234 (formerly ZH 1/428) require the following: "All storage installations are to be equipped with adequate and glare-free lighting. The lighting installations must be designed and positioned so that they are protected against mechanical damage. The nominal lighting density of the general lighting should be at least 100 lux at a height of 0.85 m above the floor. For more detailed viewing tasks, e.g. in small parts stores and reading tasks, the nominal lighting density should be at least 200 lux. Stored goods that are sensitive to light and heat may necessitate different measures."

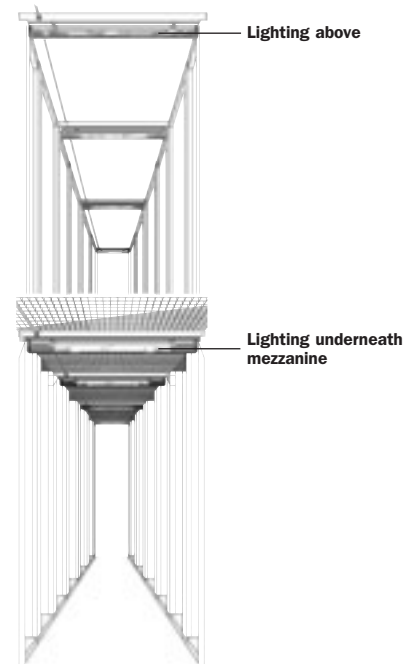
For this reason SSI SCHAEFER created a special lighting program, which fulfills the nominal densities of glare-free light within all areas of racking platform installations, demanded in the working place guidelines.

SSI SCHAEFER lights are integrated into the support structure of the platform level and are protected thereby to a large extent against impact damage.

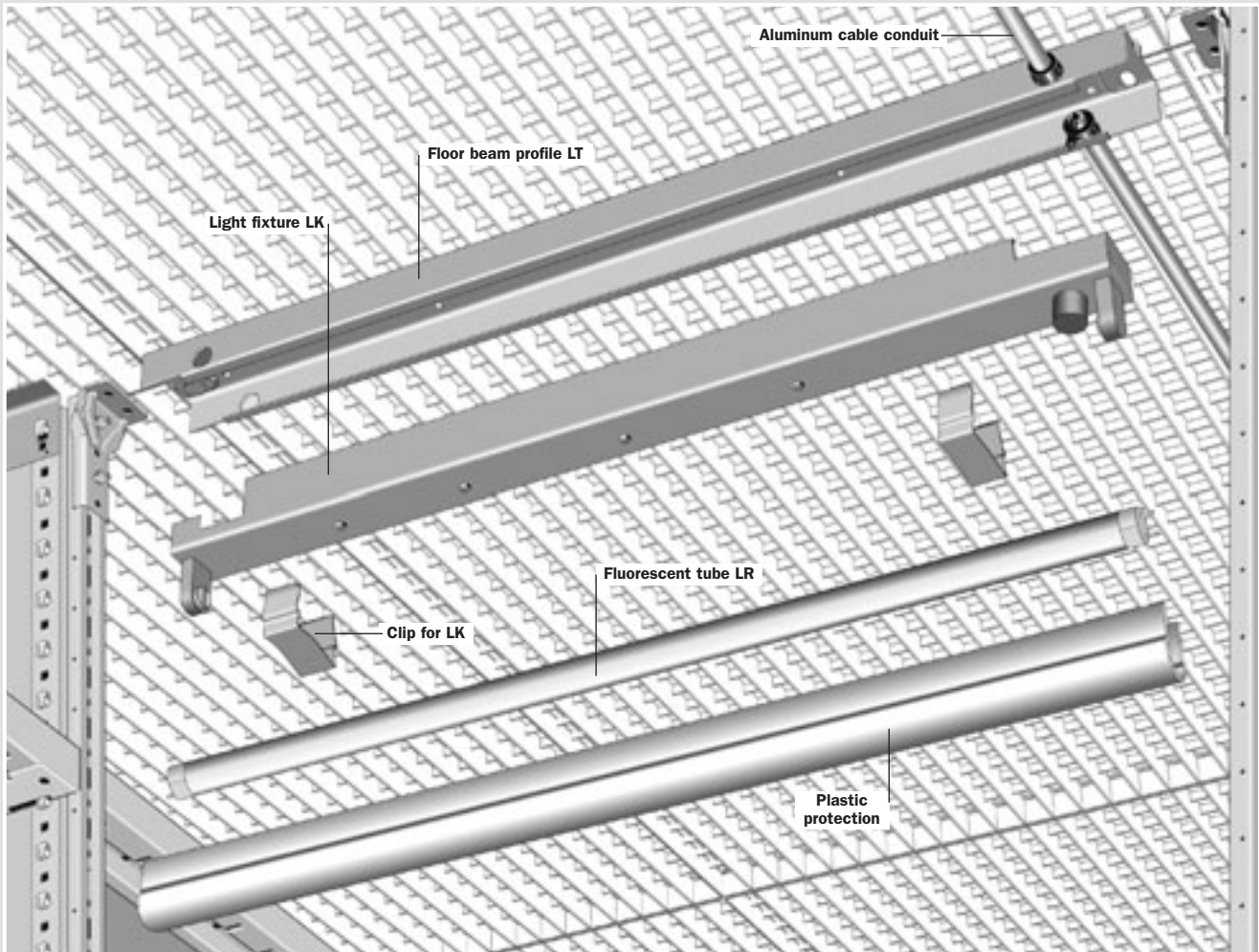
Assembly transverse to the aisle direction for unimpaired area in front of the highest shelf, with free view of the stored material for the staff.

All support profiles in the middle aisles are prepared for the admission of commercial cable conduit PG 9/1 or other installation material. SSI SCHAEFER uses only compensated lighting.

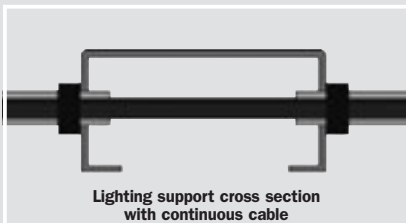
- ▶ **Guidelines of BGR 234 (formerly ZH 1/428)**  
for sufficient and glare-free lighting
- ▶ **Integration into the support structure**  
protects to a large extent against impact damage
- ▶ **Assembled crosswise to the aisle direction**  
for unimpaired area in front of the highest shelf,  
free view of the stored materials
- ▶ **Support profiles**  
prepared for standard installation materials
- ▶ **Compensated lights**
- ▶ **Emergency and reference lighting**  
acc. to VDE 0108, DIN 4844 and DIN 5035 part 5,  
can be planned and installed upon request



# Lighting system design



Lighting support profile, prepared for cabling materials



Lighting support cross section with continuous cable

### Lighting support profiles LT

For assem. underneath platf. with wooden fl. cover  
Without accessories.

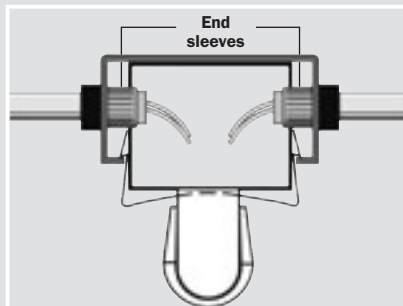
Item	L x W x H (mm)	Order no.
LTUH 78	780 x 71 x 38	14460

For assem. underneath platf. with mesh floor cover  
With hook bolts.

LTUG 78	780 x 71 x 38	14470
---------	---------------	-------

Racking top cover to accommodate the lighting tube

LTO 85	800 x 71 x 38	14480
LTO 100	1000 x 71 x 38	14490



Cable in aluminum tube and connection scheme

### Aluminum cable conduit

For cabling, incl. 2 fixing rings and end sleeves.

Item	Length (mm)	Order no.
PG 9/1	1005	14440

### Lighting tube LK

Compensated with 18 or 25 Watt fluorescent tube, 2 brackets and glare protection.

Item	Output (W)	Order no.
SV 18/LK 85	18	14520
SV 18/LK 85/EVG	18	14522
SV 25/LK 85	25	14430
SV 25/LK 85/EVG	25	14432

### Fluorescent tube LR

Item	Output (W)/Lumen	Order no.
LR 18	18/1250	14510
LR 18 U	18/1350	14512
LR 25	25/1800	14500



Specialist companies for electrical installations

on request

## Example application – floating platform

Storage and style don't have to be mutually exclusive. With SSI SCHAEFER this is also reflected in the construction of a 2-storey floating platform system with C-Sigma platform supports for a specialist bicycle supplier. In the project, the platform warehouse was integrated visually into the sales area. The individual levels are connected via stairs, which are also fitted with rails for moving the bicycles more easily. In addition, the use of mesh floors means that there is a clear view of the stored, pre-assembled wheels.



Detailed views of the platform support construction

## Example application – goods lift



Integrated into the platform, a good lift make it easier to operate the system and provide unrestricted access to all warehouse levels. This means that loads of up to 2000 kg can be conveyed.

Thanks to the stable, freestanding frame construction in a compact design, the space required is minimal and stable, and they can be installed virtually anywhere, as well as retrofitted. The modular system ensures fast delivery times and simple installation on-site with no cutting or welding work required.

Between 2 and 6 stopping points can be set up and equipped with up to 12 access points. The lift doors conform to the fire safety requirements of DIN 18 090. Safety elements permit installation over areas accessible to persons.

With call and send control, the lifts are operated from outside, and certain models can also be equipped with a panel inside the lift itself for internal operation.



Detail views of the lift with an interior control panel